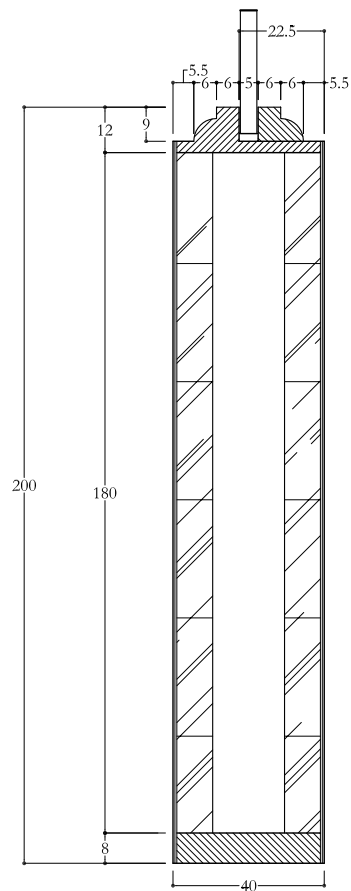
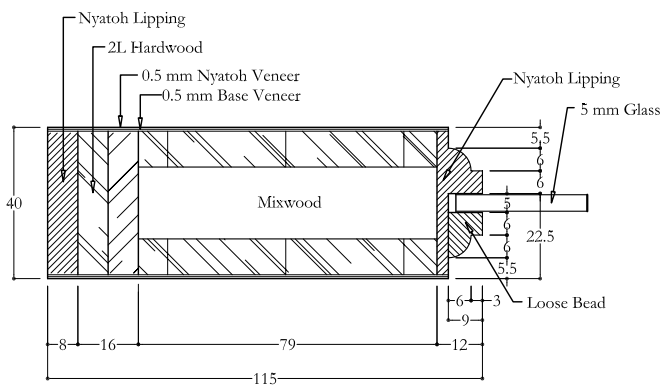


Section D-D



Section B-B



Wood Working

Code no :	10 Lite
Description :	Engineering door
Customer :	Online Doors - Australia
Drawn by :	Yusron N Wawan H
Date :	16-08-2010

Checked by :	Approved	Approved
D. Mulyadi / Tjajjo S	Marketer	BUYER
Revised :		