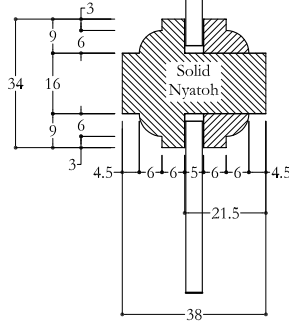
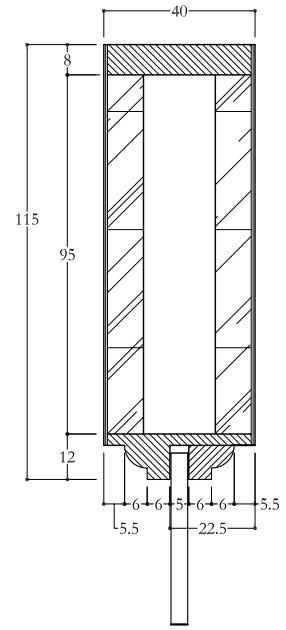


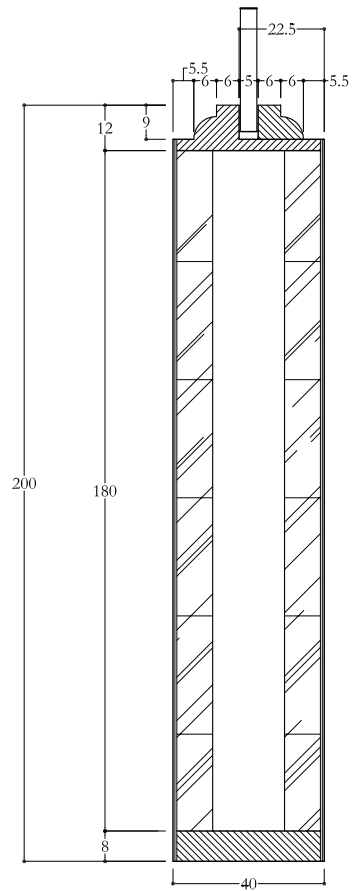
Section C-C



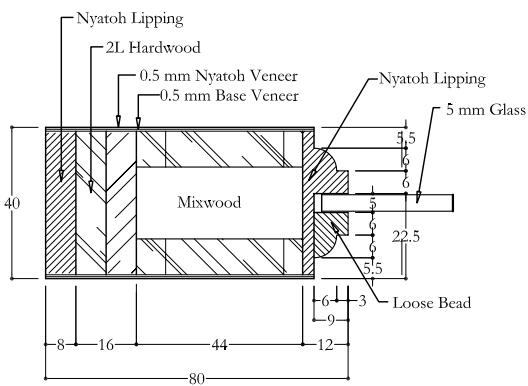
Section A-A



Section D-D



Section B-B



Wood Working

Code no : 10 Lite SL	Checked by :	Approved	Approved
Description : Engineering door			
Customer : Online Doors - Australia	D. Mulyadi / Tjahjo S	Marketer	BUYER
Drawn by : Yusron N	Wawan H	Revised :	Date : 16-08-2010