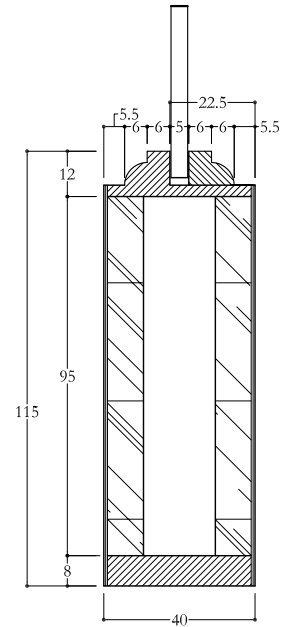
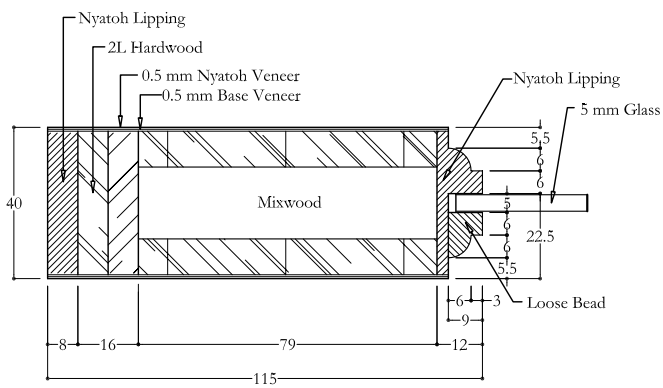


Section A-A

Section B-B



Section C-C



Wood Working

Code no : 4 Lite - Design 2  
 Description : Engineering door  
 Customer : Online Doors - Australia  
 Drawn by : Yusron N

Wawan H

Date : 16-08-2010

Checked by :

Approved

Approved

D. Mulyadi / Tjahjo S

Marketer

BUYER

Revised :