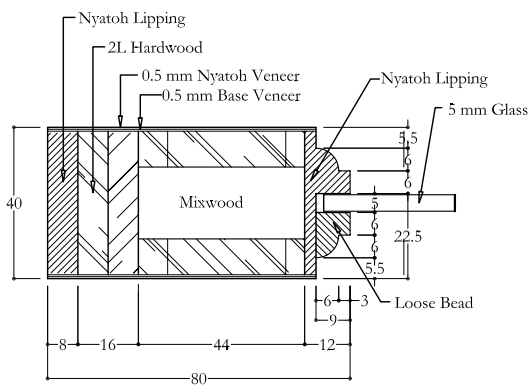
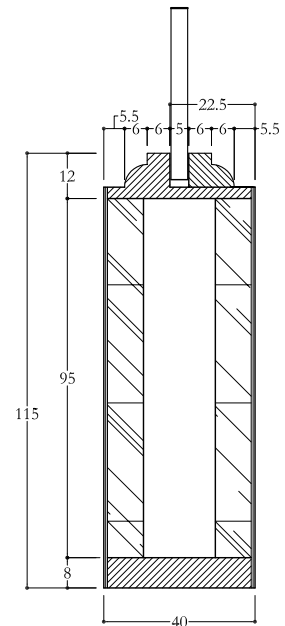


Section B-B



Section D-C



Wood Working

Code no : 4 Lite - Design 2 SL	Checked by :	Approved	Approved
Description : Engineering door			
Customer : Online Doors - Australia	D. Mulyadi / Tjahjo S	Marketer	BUYER
Drawn by : Yusron N	Wawan H	Date : 16-08-2010	Revised :